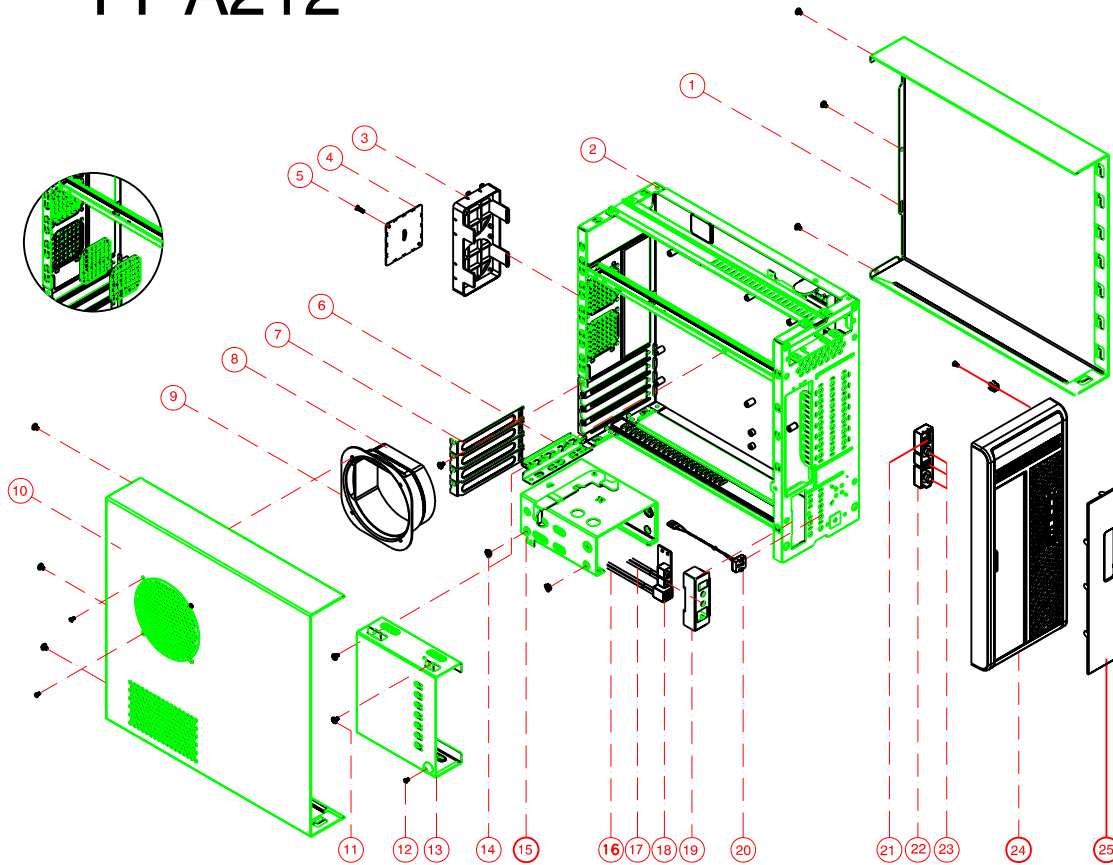


**YEONG
YANG**
TECHNOLOGY CO.,LTD.
YY-A212



Item	Part Name	Q'TY	Remark
1	COVER RIGHT	1	0201-A2081
2	CHASSIS	1	0001-A2111
3	FAN HOLDER	1	0323-A2002
4	FAN COVER	1	0219-A1081
5	SCREW	2	5401-53101
6	BRKT 4SLOT FIXING	1	0211-A2102
7	BRKT PCI SLOT	4	0207-A2061
8	AIR GUIDE ADD	1	0330-A2002
9	AIR GUIDE	1	0330-A2001
10	COVER LEFT	1	0201-A208A
11	SCREW	8	5401-54051
12	SCREW	1	5401-53051
13	5.25 DRIVER BRKT	1	0206-A1081
14	Rubber	4	0384-A2001
15	3.5 DRIVER BRKT	1	0205-A1081
16	AUDIO CABLE	1	0418-R0501
17	USB CABLE	1	0417-R0501
18	FPIO	1	0802-A2121
19	USB BRACKET	1	0211-A2065
20	BUZZER+HOLDER	1	0013-00301
21	POWER SW CABLE	1	0401-A2401
22	LED HOLDER	1	0313-55AP1
23	Power&Reset&HDD CABLE	1	0405-A2401
24	FRONT PANEL	1	0002-A2121
25	NET	1	0213-A2053