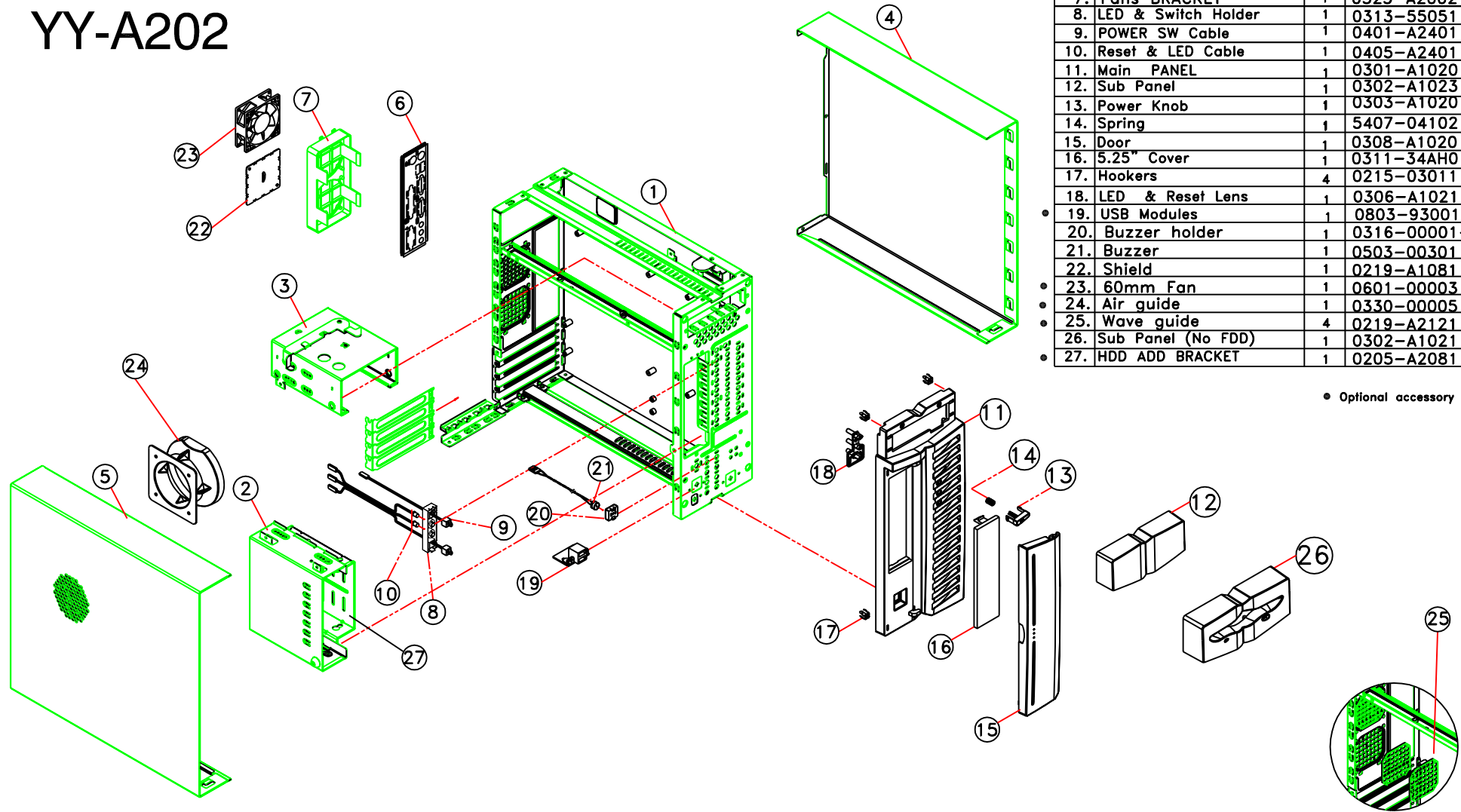




YY-A202



Item	Part Name	Q'TY	Remark
1.	Chassis	1	0001-A2011
2.	5.25" driver bracket	1	0206-A1081
3.	3.5" driver bracket UNIT	1	0018-A2001
4.	Side cover	1	0201-A2081
5.	Side cover(with holes)	1	0201-A2082
6.	I/O Shield	1	0226-00001
7.	Fans BRACKET	1	0323-A2002
8.	LED & Switch Holder	1	0313-55051
9.	POWER SW Cable	1	0401-A2401
10.	Reset & LED Cable	1	0405-A2401
11.	Main PANEL	1	0301-A1020
12.	Sub Panel	1	0302-A1023
13.	Power Knob	1	0303-A1020
14.	Spring	1	5407-04102
15.	Door	1	0308-A1020
16.	5.25" Cover	1	0311-34AHO
17.	Hookers	4	0215-03011
18.	LED & Reset Lens	1	0306-A1021
• 19.	USB Modules	1	0803-93001
20.	Buzzer holder	1	0316-00001-A
21.	Buzzer	1	0503-00301
22.	Shield	1	0219-A1081
• 23.	60mm Fan	1	0601-00003
• 24.	Air guide	1	0330-00005
• 25.	Wave guide	4	0219-A2121
26.	Sub Panel (No FDD)	1	0302-A1021
• 27.	HDD ADD BRACKET	1	0205-A2081

• Optional accessory