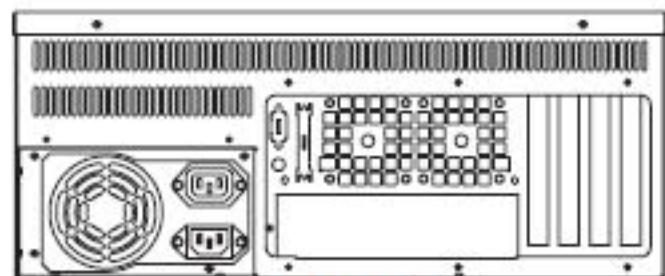
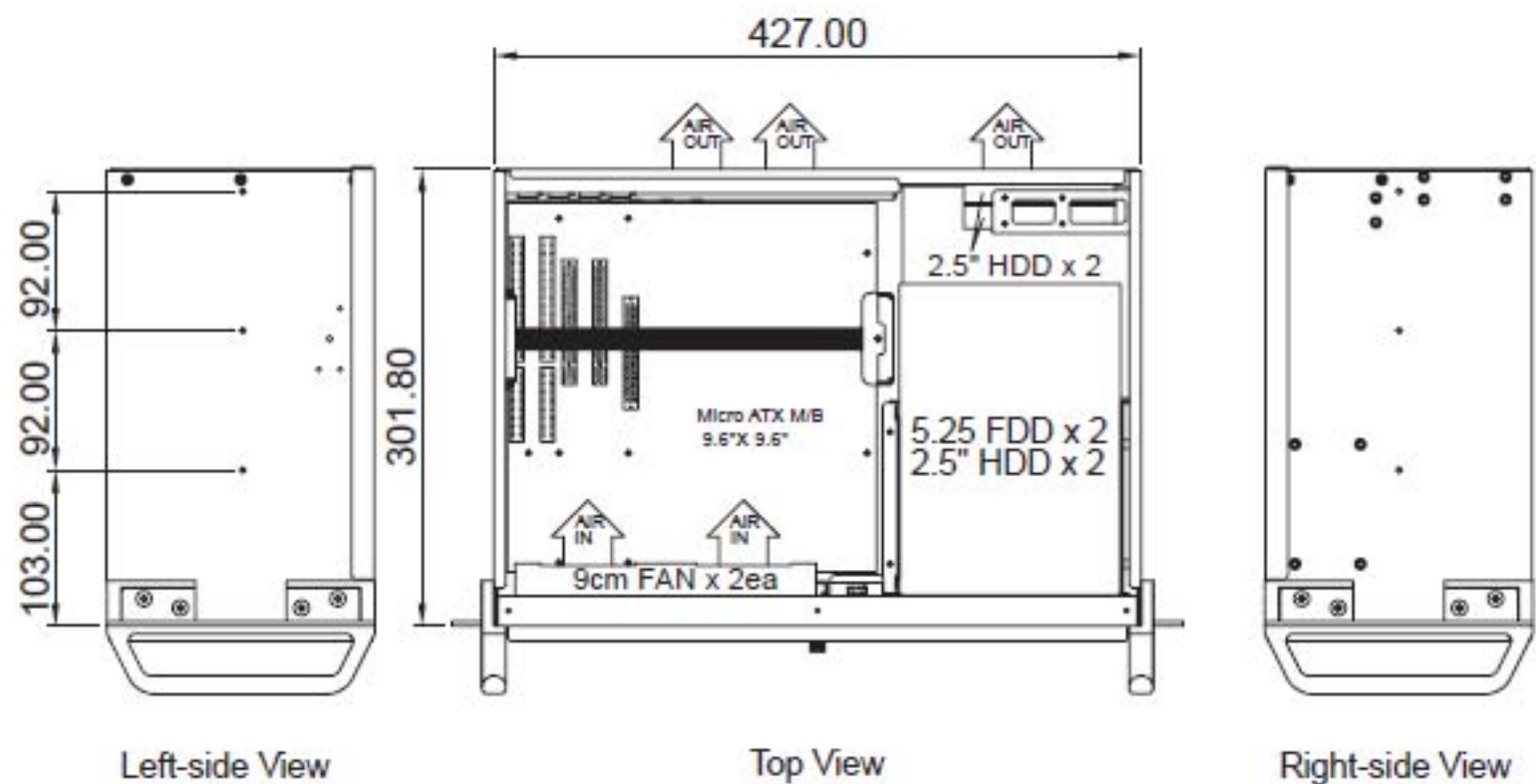
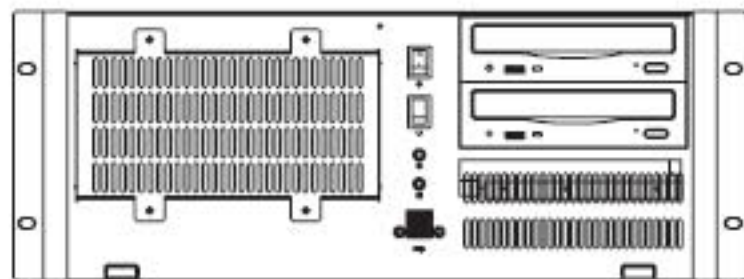


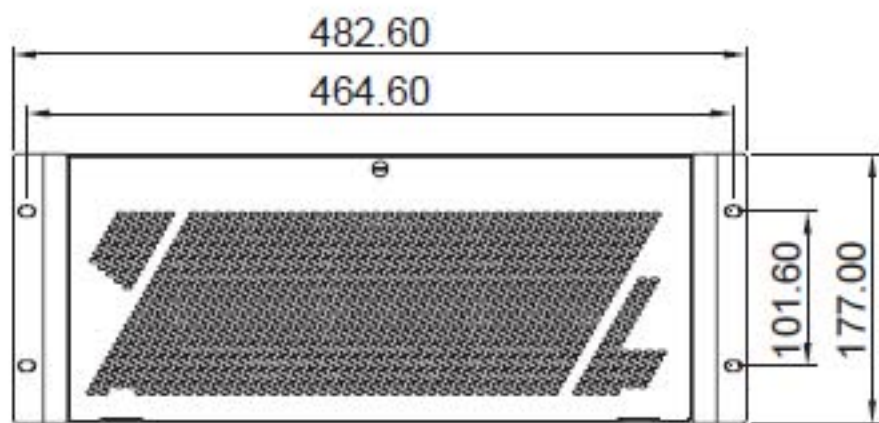
Dimension



Rear View



Front in-side View



Front out-side View