

CHENBRO



User's Manual

SK32303 **2-to-3 SATA / SAS HDD** **Storage Kit**

Version A1

May / 26 / 2008

Copyright

Copyright © 2006 CHENBRO Micom Co., Ltd.. All rights reserved.

Unless otherwise indicated, all materials in this manual are copyrighted by CHENBRO Micom Co., Ltd.. All rights reserved. No part of this manual, either text or image may be used for any purpose other than internal use within purchasing company. Therefore, reproduction, modification in any form or by any means, electronic, mechanical or otherwise, for reasons other than internal use, is strictly prohibited without prior written permission.

CHENBRO Micom Co., Ltd. reserves the right to make improvement and modification to the products indicated in this manual at any time. Specifications are therefore subject to change without prior notice.

Information provided in this manual is intended to be accurate and reliable. However, CHENBRO Micom Co., Ltd., assumes no responsibility for its use, nor for any infringements upon the rights of third parties, which may result from its use.

Technical Support

CHENBRO works hard to offer our customers maximum performance from our chassis. But in case you have any problem with our product you can find supports from the following resources.

Web Support

Detail information of our products is in our website. You can find technical updates, installation guides, FAQs, Technical specifications and more. Our web address is: www.chenbro.com.

Email Support

You can also fill out the technical support form at our [Technical Support](#) page. Your technical issue inquiries will be sent directly to our support professionals.

Phone Support

You can also contact CHENBRO HQ or branch office for immediate support; their contact information is as following:

CHENBRO HQ	CHENBRO Europe B.V.	CHENBRO Micom (USA) Inc.
Tel: 886-2-8226-5500	Tel: 31-40-295-2045	Tel: 1-909-947-3200
Fax: 886-2-8226-5423	Fax: 31-40-295-2044	Fax : 1-909-947-4300

Contents

Copyright	2
Technical Support	2
Contents	3
Revision History	4
Safety Information	5
Conventions Used in this Manual	5
Getting Start with the SK32303 Storage Kit	6
Unpacking and Checking the Contents	6
Technical Specifications	6
Compatible CHENBRO Chassis	6
Introduction	7
Functional Specification	7
General	7
Host / Drive / Power Backplane Interface	7
Monitoring Function	7
Mechanical Dimension	8
Components Description	9
Front View	9
Rear View – with Cover	10
Rear View – Cover Removed	11
Connector & Switch Definition	12
HDD Failure Signal Connector	12
Setting for HDD Failure Signal Cable Connection (SK32303 Backplane)	12
Setting for HDD Failure Signal Cable Connection (RAID Card)	12
HDD Activity Signal Jumper	13
Default setting for SATA-II HDD	13
Setting for SATA-I HDD (SK32303 Backplane)	13
Setting for SATA-I HDD (RAID Card)	13
Installation Procedures	15
Hot-swap HDD Assembly	15
Remove Rear Cover	16
Relative Part Number List	17

w w w . c h e n b r o . c o m

Revision History


Date	Modifications
May / 26 / 2008	● First Release

Safety Information

- Read the installation instructions before connecting SK32303 to the power source.
- Only trained and qualified personnel should be allowed to install, replace or service this equipment.
- Never install this product in a wet environment.
- Position system cables and power cables carefully; route system cable and the power cable and plug so that they cannot be stepped on or tripped over. Be sure that nothing rests on your system components' cables or power cable.

Conventions Used in this Manual

The following conventions are used in this manual.

	Note Icon: Provides more information on the current topic.
---	--

	Important Icon: Provides important information on the current topic that must not be overlooked.
---	--

Getting Start with the SK32303 Storage Kit

Thank you for purchasing SK32303! This section covers unpacking and identifying components.

Unpacking and Checking the Contents

The complete SK32303 package includes the following items:

Item Description	Quantity
SK32303 Storage Cage	1
Hot-swap 3.5" Hard Disk Drive (HDD) Tray	3
SAS / SATA-II cable	3
HDD failure / activity signal Cable	1
Screw: #6-32 (6mm) for tray and HDD assembling	12
Screw: M3 (6mm) for Storage Cage and chassis assembling	6



The HDD failure / activity signal cable (26H113215-005) is available for using on HDD failure or activity LED.
Refer to the RAID card user manual for the detailed application and connection information.

Technical Specifications

Occupancy	2 x 5.25" Drive Bays
Capacity	3 x SATA-I, II or SAS Hot-swap HDDs
Cooling Subsystem	1 x 60mm (Thickness 25mm) Exhaust Fan
System Monitoring	Fan Failure LED and Alarm Overheat LED and Alarm HDD Failure LED and Alarm
Dimension (WxHxD)	146 x 84.5 x 218.7 (mm) 5.75 x 3.32 x 8.61 (inch)
Weight (fan included)	1.4 kg

Compatible CHENBRO Chassis

- RM21600 / RM31300 / RM31408
RM41100 / RM41500 / RM42200
- SR105 / SR107 / SR108 / SR201 / SR209
- PC617

Introduction

The CHENBRO SK32303 can house three 3.5" HDDs in a two 5.25" bays converter (Depth of 9.5" recommended). The ability for conversion allows existing servers to perform the maximum HDD density while keeping the flexibility. In all, SK32303 is the best solution as value added feature and performance.

Functional Specification

General

- Support up to SATA-II and SAS (3.0 Gb/s)
- Compatible with 3.5" SAS, SATA-I and SATA-II HDD
- Support inrush current control for HDD Hot-swapping
- LED indicate activity and failure for each HDD
- Alternative HDD activity and failure signal source

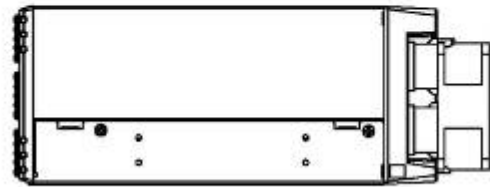
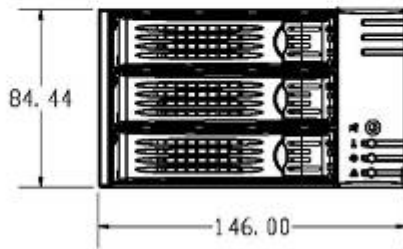
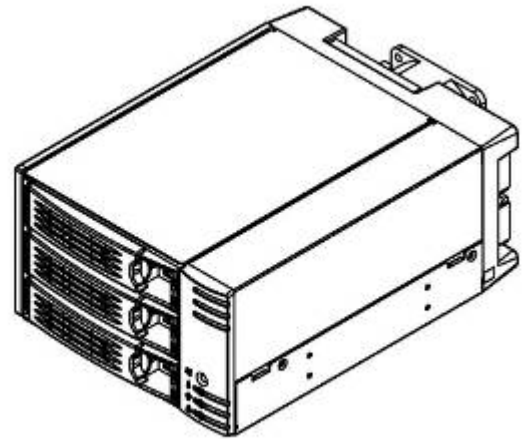
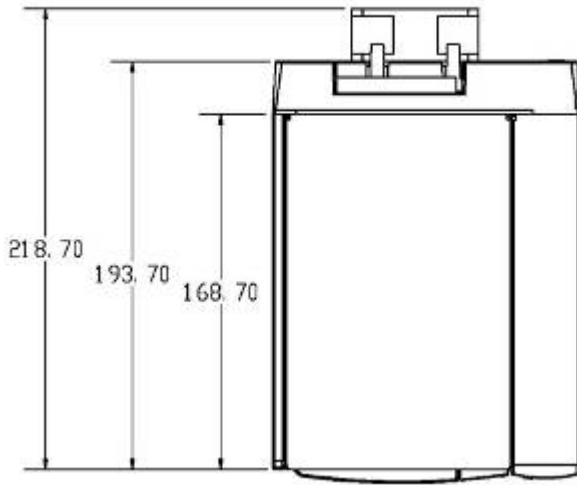
Host / Drive / Power Backplane Interface

- Direct link SATA / SAS ports
- 3 x SATA Signal + Power (7+15 pin) connectors at HDD side of backplane
- 3 x SATA interfaces (7 pin)
- 2 x DC power connectors (4-pin D-type)

Monitoring Function

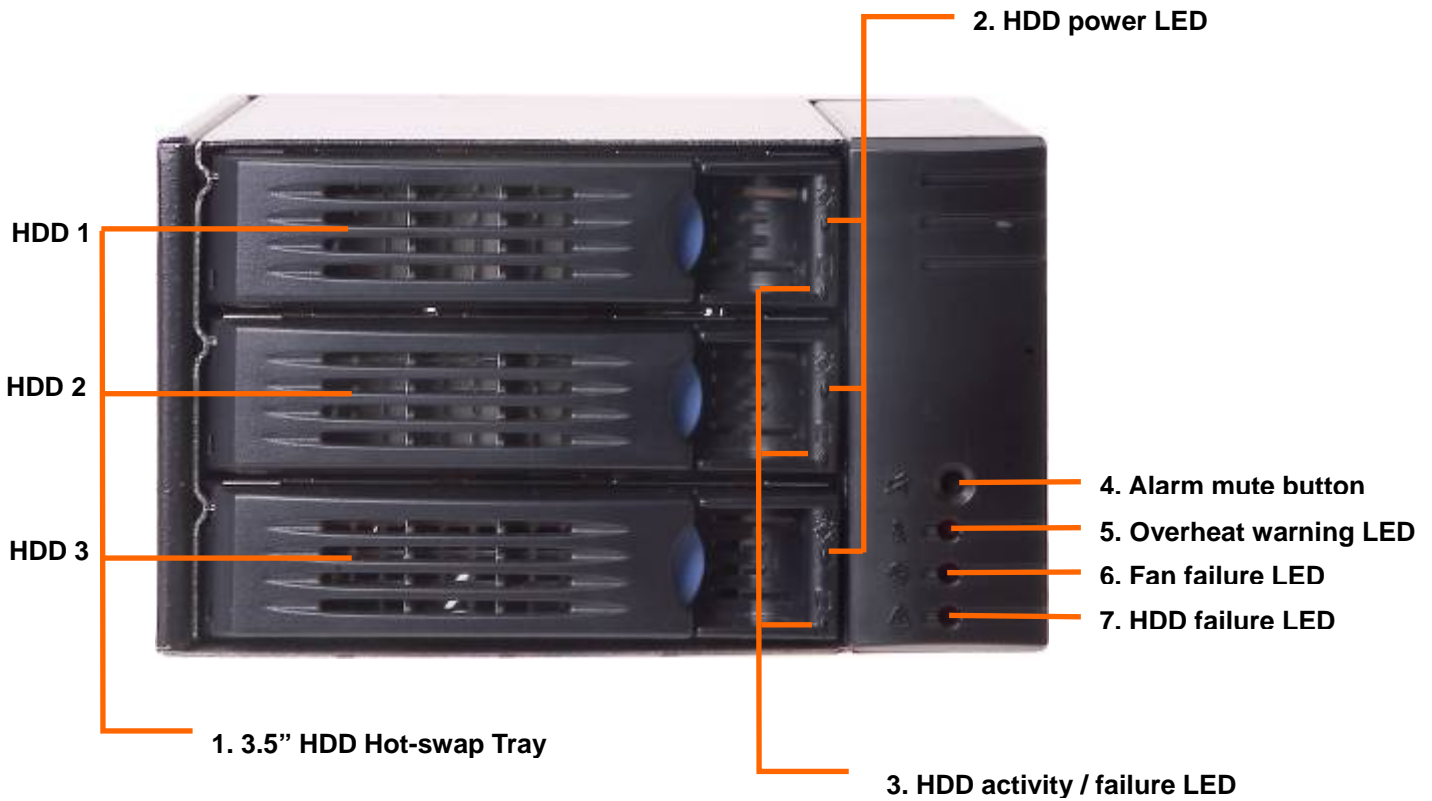
- 1 x Fan connector with speed monitoring
- 2 x temperature sensors for HDD overheating monitoring
- Alterable overheat temperature: 55 °C or 65 °C
- Support 1 x buzzer for audible alarm, 3 x LED for overheat, fan & HDD failure indicator, 1 x alarm mute button for disabling audible alarm

Mechanical Dimension



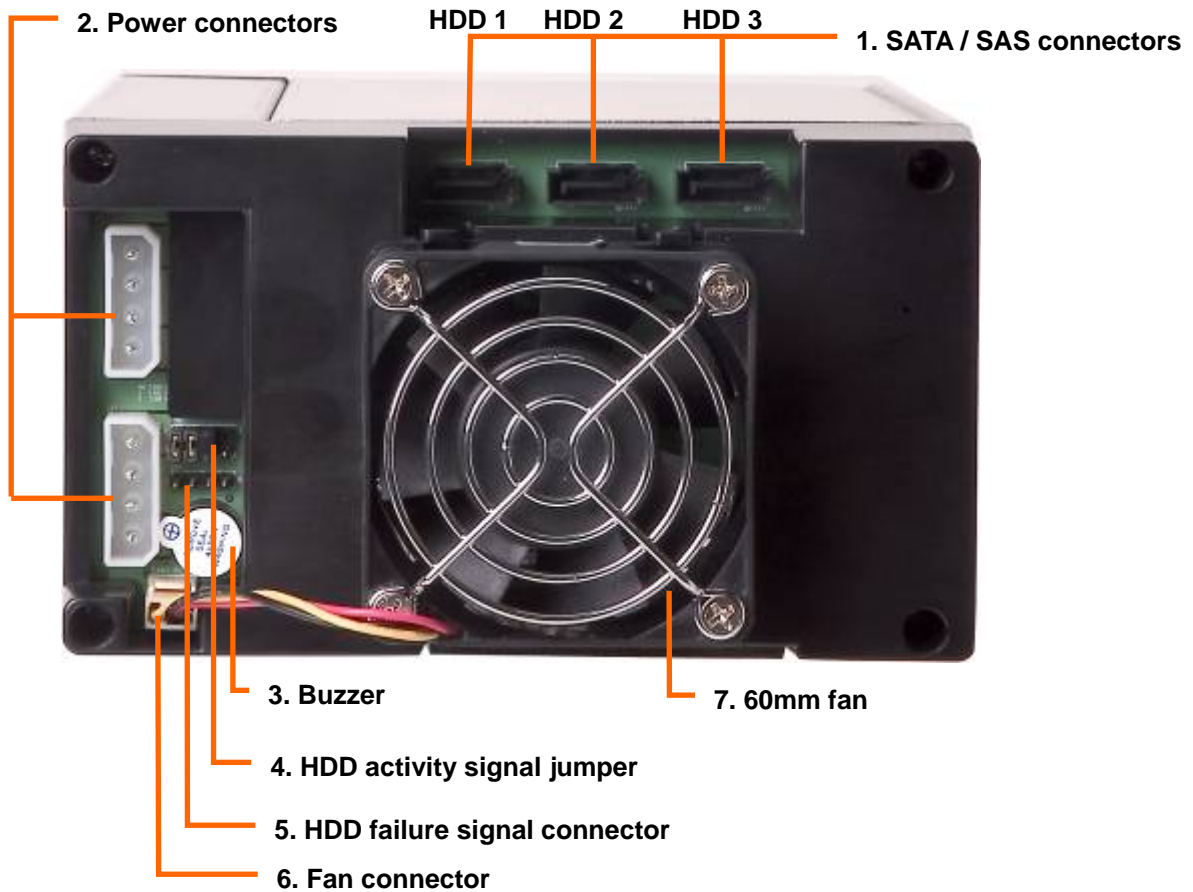
Components Description

Front View



	Device	Function
1	3.5" HDD Hot-swap Tray	Refer to Page 15
2	HDD Power LED	Blue LED On - HDD Power On
3	HDD activity / failure LED	Green LED On - HDD active Red LED On - HDD failure
4	Alarm mute button	Click to stop the system failure alarm
5	Overheat Warning LED	Red LED On - Temperature overheat
6	Fan failure LED	Red LED On - Fan failure
7	HDD failure LED	Red LED On - HDD failure

Rear View – with Cover



	Device	Function
1	SATA / SAS HDD Connectors	Connect to motherboard / RAID card
2	Power Connectors	Power input
3	Buzzer	Alarm for system failure
4	HDD activity signal jumper	Refer to Page 13
5	HDD failure signal connector	Refer to Page 12
6	Fan connector	Connect to 60mm fan
7	60mm Fan	Air mover for SK32303 storage kit

Rear View – Cover Removed

Fan & Temperature Switch



Device	Function
Fan & Temperature Switch	Refer to Page 14

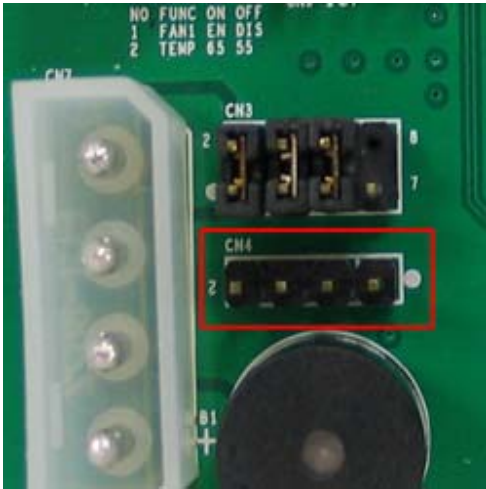


Refer to page 16 for rear cover removal.

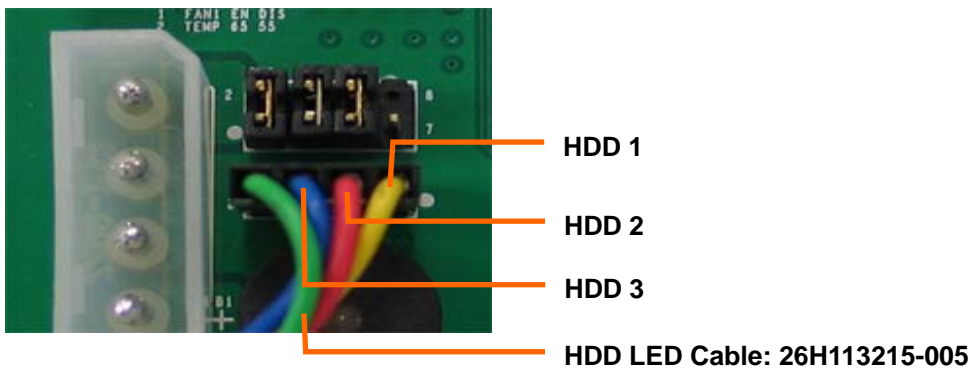
Connector & Switch Definition

HDD Failure Signal Connector

This connector is for the SATA RAID card with HDD failure signal support such as ARECA ARC-1230 & 1260. Connect the failure signal connectors on SK32303 backplane and RAID card to activate the HDD failure LED.

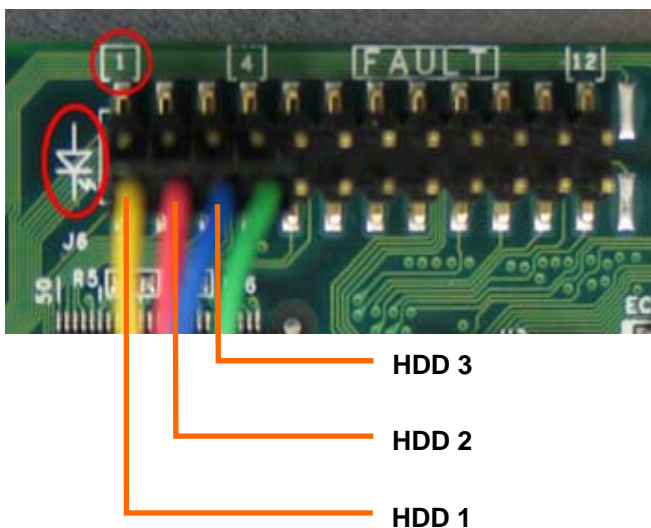


Setting for HDD Failure Signal Cable Connection (SK32303 Backplane)



Setting for HDD Failure Signal Cable Connection (RAID Card)

Connect the 4-pin HDD LED cable to the CATHODE of the HDD failure connector on RAID card. Refer to your RAID card's user manual for the detailed pin definition.

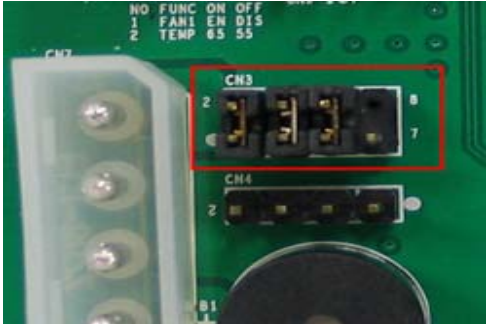


HDD Activity Signal Jumper

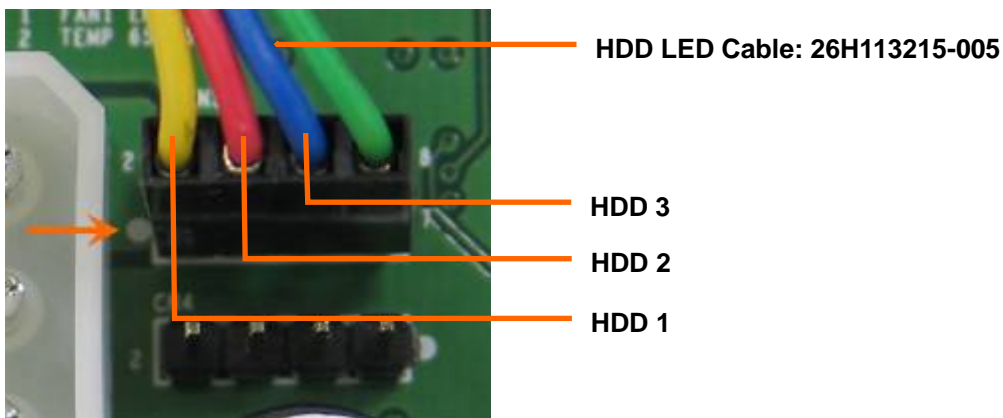
The default jumpers are installed for SATA-II (3.0 Gb/s) HDDs which support activity signal via pin-11 of the connector on HDD.

If using SATA-I (1.5 Gb/s) HDD, remove the jumper for HDD 1, 2 or 3 and connect the activity signal connectors on SK32303 backplane and RAID card to activate the HDD activity LED. The RAID card must support the HDD activity signal such as 3ware 8000 & 9000 series.

Default setting for SATA-II HDD

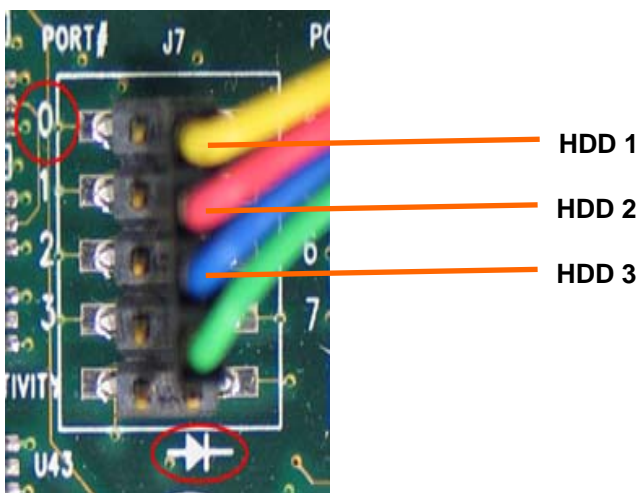


Setting for SATA-I HDD (SK32303 Backplane)



Setting for SATA-I HDD (RAID Card)

Connect the 4-pin HDD LED cable to the CATHODE of the HDD activity connector on RAID card. Refer to your RAID card's user manual for the detailed pin definition.



Fan & Temperature Switch

This switch is located behind the rear cover.

Switch 1: Enable / Disable the fan.

Switch 2: Change the threshold temperature of SK32303 storage kit



Switch 1: Fan Enable / Disable

1	Fan	Remark
ON	Enable	Default
OFF	Disable	

Switch 2: Threshold Temperature Setting

2	Threshold Temperature	Remark
ON	65 °C	
OFF	55 °C	Default



Refer to page 16 for rear cover removal.

Installation Procedures

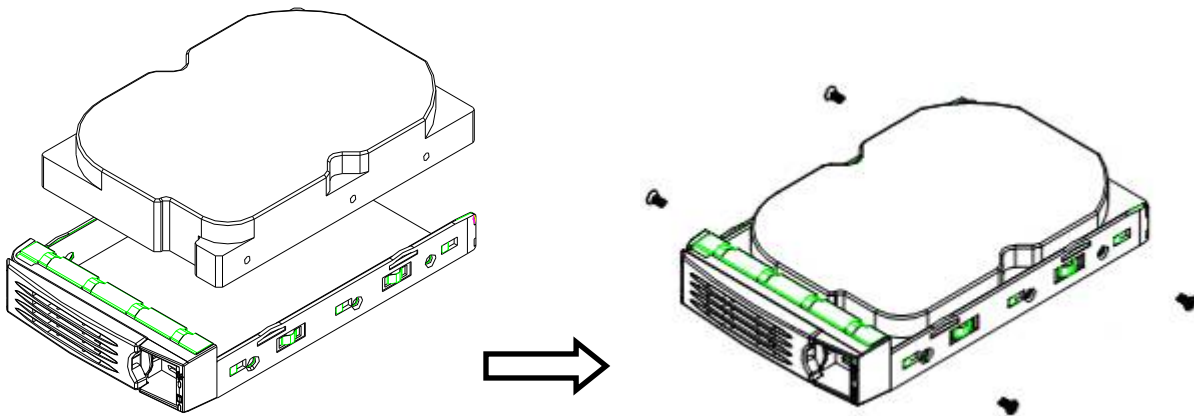
The following is the installation procedures of HDD and rear cover assembly.

Hot-swap HDD Assembly

- a. Push the blue latch of HDD tray and pull it out from the cage



- b. Attach HDD with six screws per tray



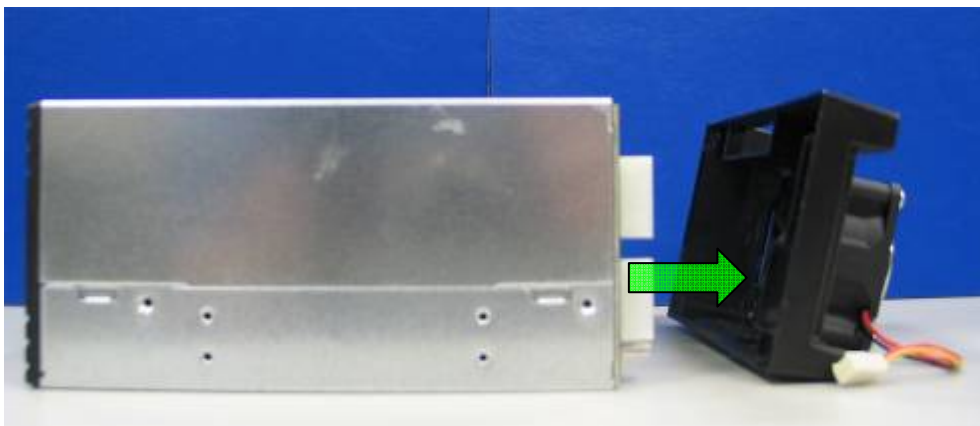
- c. Insert HDD tray to the cage

Remove Rear Cover

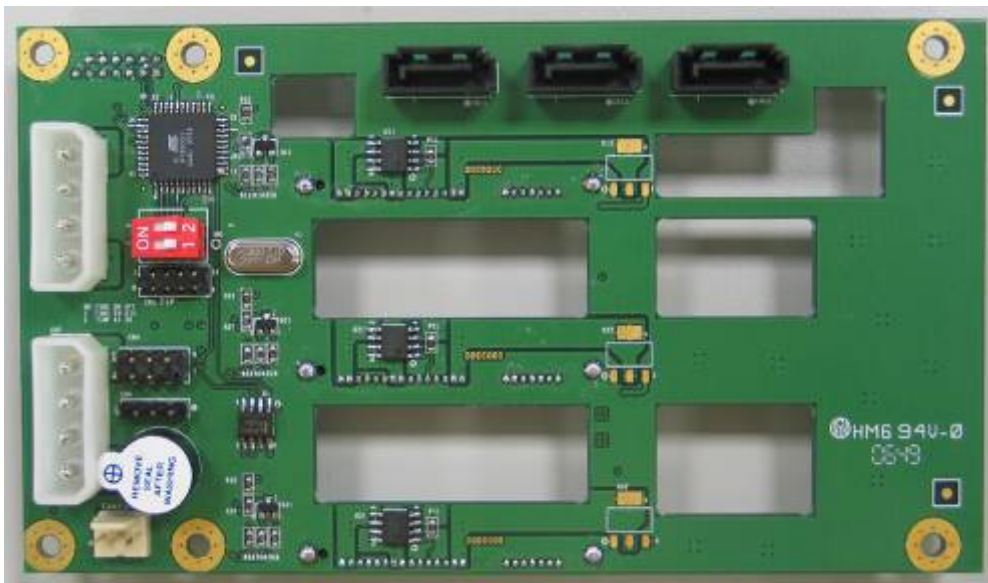
- a. Unplug fan connector and remove four screws on the cover



- b. Remove rear cover



- c. Backplane



Relative Part Number List

CHENBRO Part Number	Description	Unit	Remark
80H045323-001	SK32303 LED Board	pcs	
80H105323-003	SK32303 3-Port SATA /SAS Backplane	pcs	
26H123215-002	SAS / SATA-II Cable, 700mm	pcs	
26H113215-005	HDD failure / activity signal Cable, 4P to 4P, 600mm	pcs	
83H305223-001	60mm (Thickness 25mm), Ball Bearing Fan	pcs	
83H555335-011	Hot-swap HDD Tray	pcs	