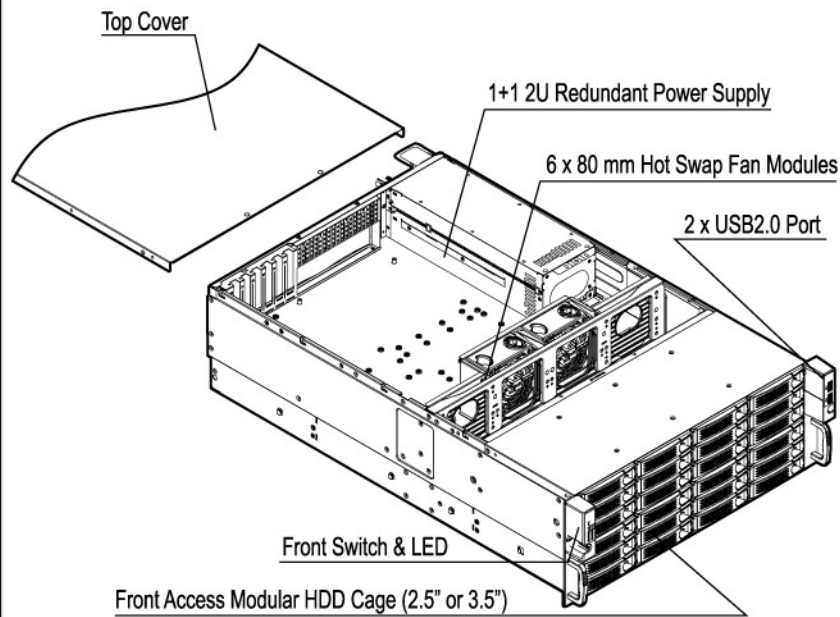


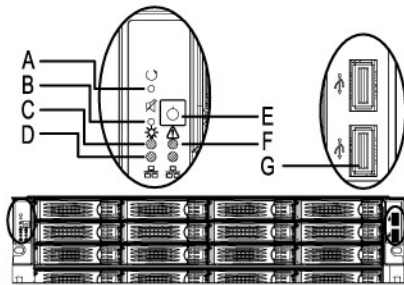
# Chassis Quick Reference

## Major Components

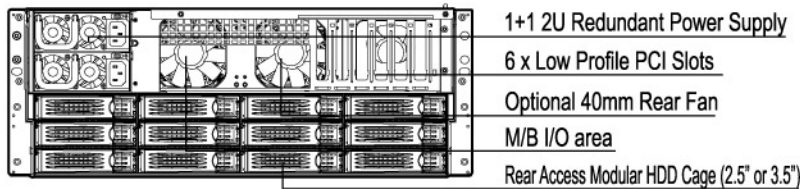


## Front Panel Controls and Indicators

- A. System Reset Button
- B. Alarm Mute Button
- C. Power LED
- D. LAN1 & LAN2 Activity LED
- E. Power Button
- F. System Failure LED
- G. USB 2.0 Port

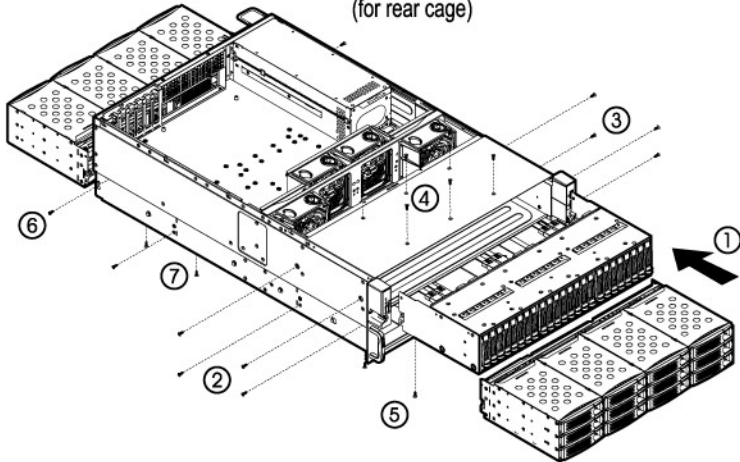


## Rear Window Configuration



## Installing HDD Cage (2.5" or 3.5")

1. Push-in modular HDD Cage until fasten.
2. Attach 4 screws on the left side (two for upper cage, two for lower cage)
3. Attach 4 screws on the right side (two for upper cage, two for lower cage)
4. Attach 6 screws on the top for upper cage.
5. Attach 4 screws on the bottom for lower cage.
6. Attach 4 screws on the both side of chassis (for rear cage)
7. Attach 4 screws on the bottom side of chassis (for rear cage)



## Installing Hard Disk & Slim ODD Cage

### Slim ODD Cage

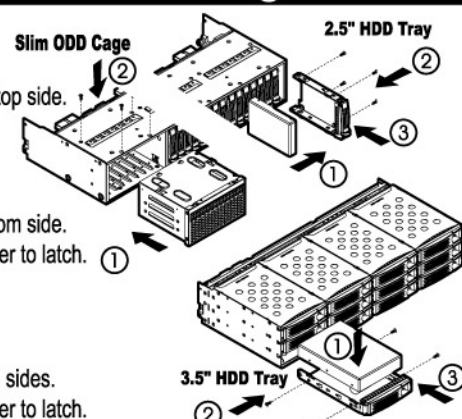
1. Slide-in the slim ODD cage.
2. Attach 4 screws to fix the cage on the top side.

### 2.5" HDD Tray

1. Insert HDD on the tray.
2. Attach 4 screws to fix HDD on the bottom side.
3. Slide-in the HDD tray and push the lever to latch.

### 3.5" HDD Tray

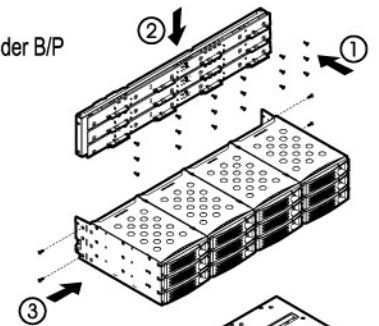
1. Insert HDD on the tray.
2. Attach 4 screws to fix HDD on the both sides.
3. Slide-in the HDD tray and push the lever to latch.



## Installing Backplane

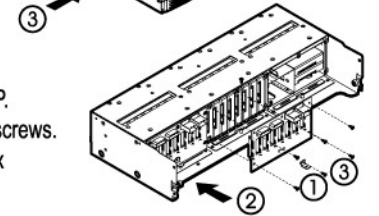
### 3.5" 12-bay backplane

1. Attach 3 pcs Mini-SAS B/P or 1 pcs SAS Expander B/P with screws on the bracket.
2. Insert backplane module all the way.
3. Fasten backplane module to HDD cage via 4 screws on both sides.



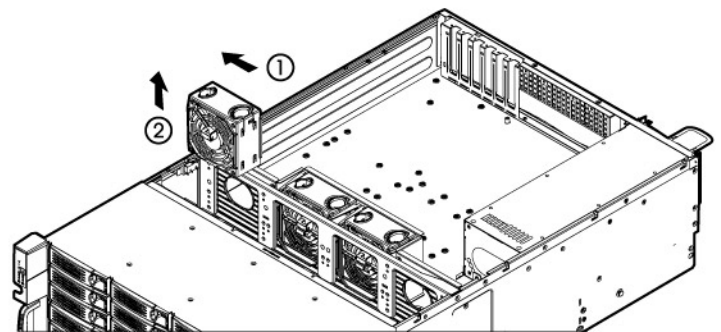
### 2.5" 24-bay backplane

1. Attach "L" shape bracket with screws on the 3 pcs Mini-SAS B/P or 1 pcs SAS Expander B/P.
2. Install backplane on the rear side of cage with screws.
3. Attach one screw on the "L" shape bracket to fix on the cage.



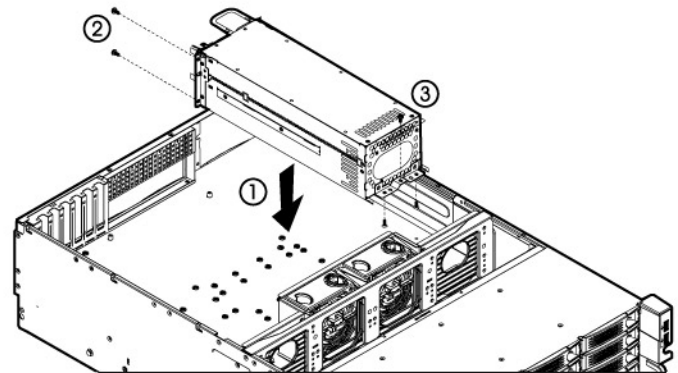
## Removing Hot Swappable Fan Module

1. Hold the finger latch by arrow direction to release the latch.
2. Pull up the whole fan module directly.



## Installing Power Supply

1. Put PSU onto M/B carrier until mounting hole aligned.
2. Attach screws to fix on the rear window of M/B carrier.
3. Attach screws to fix on the M/B carrier. (near PSU harness side)



## Installing M/B Carrier

1. Push-in M/B carrier with PSU & 2 x fan modules until fasten.
2. Attach 4 screws to fix on the end side of chassis.
3. Attach 4 screws to fix on the middle side of chassis.

