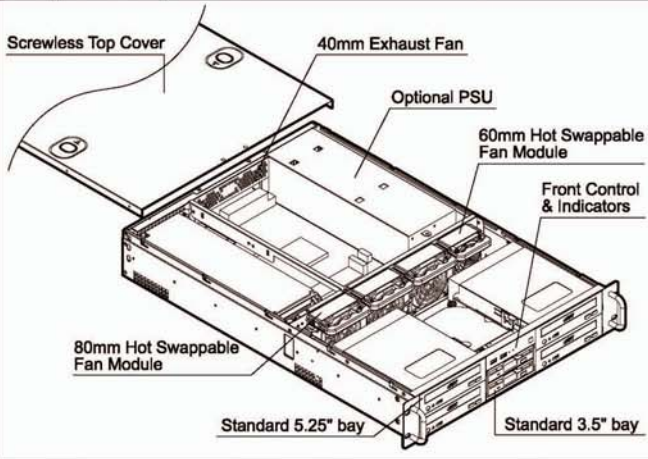


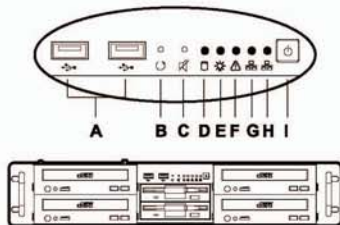
Chassis Quick Reference

Major Components

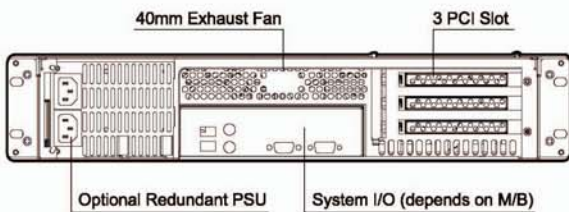


Front Panel Controls and Indicators

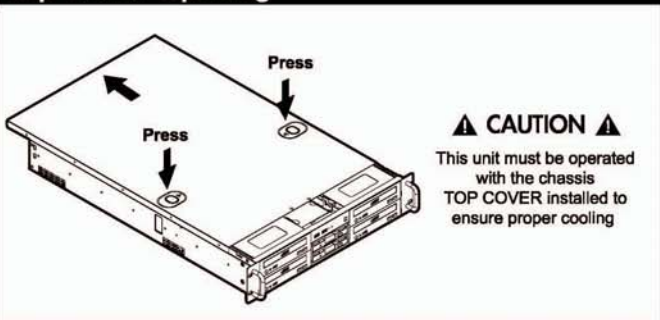
- A. USB 2.0 Port
- B. System Reset Button
- C. Alarm Mute Button
- D. System HDD Activity LED
- E. Power LED
- F. Alarm Notification LED
- G. LAN1 LED
- H. LAN2 LED
- I. Power Button



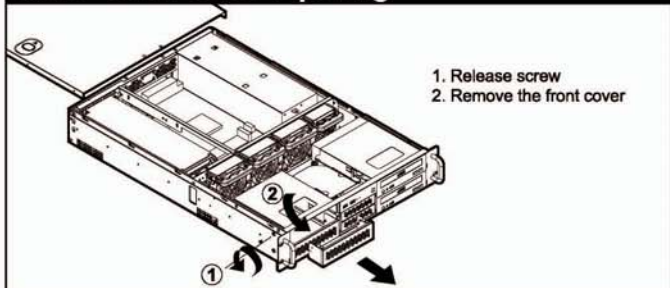
Rear Window Configuration



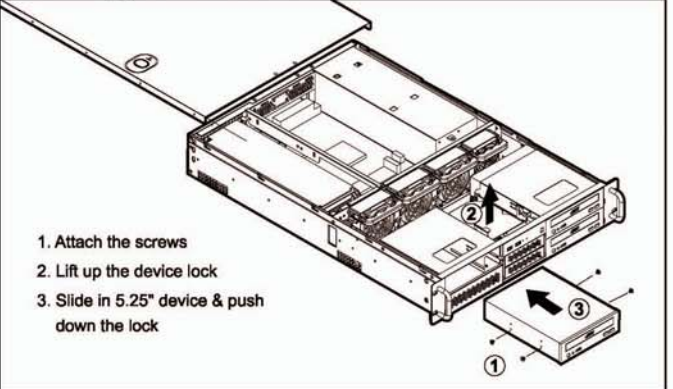
Top Cover Opening



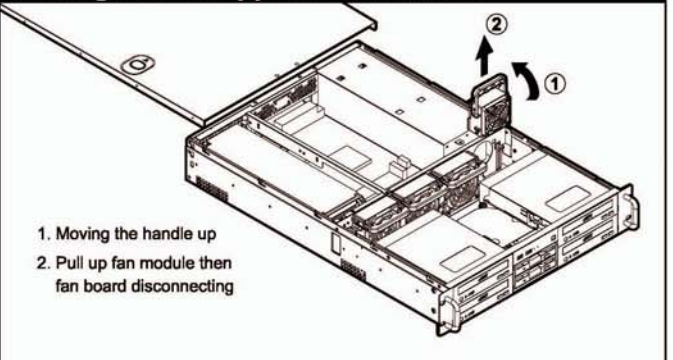
5.25" Front Cover Opening



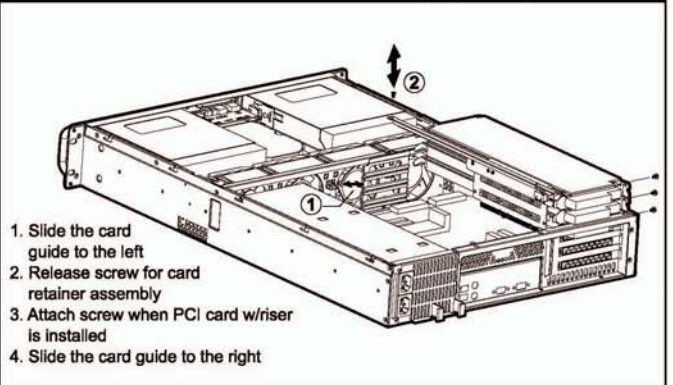
Installing 5.25" Device



Moving Hot Swappable Fan Module



Full Size PCI Card Installation (w/riser)



3.5" Device Cage Installation

